

# EMBEDDED SYSTEMS LAB AND TRAINING

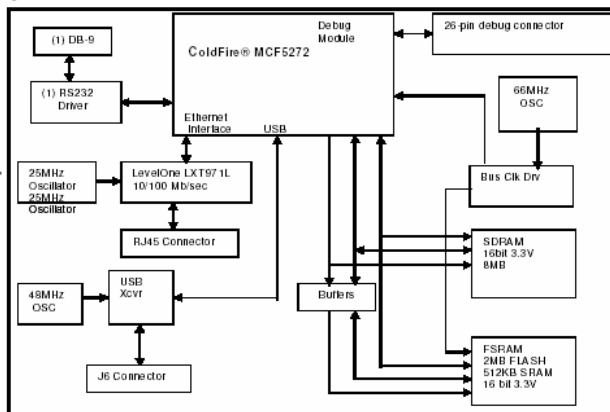
## Manvish's Set-up Labs Includes :

- ✓ Embedded kits designed specifically for the classroom or teaching lab and fresh recruits for corporate sector.
- ✓ Open source Linux environment.
- ✓ Low cost introduction to next generation technology.
- ✓ Benefit from comprehensive hands-on training involving all aspects of hardware and software applications.
- ✓ Developed on 32 bit microprocessor on uCLinux platform.
- ✓ Add-on kits for application and project development.
- ✓ Open source approach allows to develop real time applications.
- ✓ Integrated development environment includes OS, BSP, Debugger and peripheral drivers.
- ✓ Course curriculum includes syllabus and industrial application projects.



## Architecture Overview

- ❖ Highly flexible, efficient and powerful general purpose board
- ❖ A microcomputer system for reference design & training
- ❖ 32 bit Motorola Cold Fire processor
- ❖ Memory – SDRAM, FSRAM
- ❖ Communication – Ethernet, RS232, USB



## Manvish Programs

### Basic

- Embedded C
- ALP
- 8051 Architecture
- Keil C Compiler
- Projects

### Advanced Course Module I

- Shell Programming
- Process Management
- IPC
- Drivers
- Projects

### Advanced Course Module II

- Tools
- Tasks
- IPC
- Drivers
- Projects